



Gadringer-Gurte GmbH
Flughafen Kassel
D - 34379 Calden
Tel. +49 (0) 5674 - 9210044
Fax. +49 (0) 5674 - 9210045
info@gadringer-gurte.de

**Component
Maintenance Manual**
No. BAGU-5
Lap Belt "BAGU 5000" - series

Component Maintenance Manual

with Instruction Manual

No. BAGU - 5

Lap Belt Assembly "BAGU 5000" - series

in combination with

Shoulder Harness Assembly "SCHUGU 2000" - series

and

Crotch Strap Assembly "BOGU 1000" - series

Maintenance procedures to be performed by the manufacturer or a manufacturer-approved repair station are not given in this manual.



Gadringer-Gurte GmbH
Flughafen Kassel
D - 34379 Calden
Tel. +49 (0) 5674 - 9210044
Fax. +49 (0) 5674 - 9210045
info@gadringer-gurte.de

**Component
Maintenance Manual**
No. BAGU-5
Lap Belt "BAGU 5000" - series

LIST OF REVISIONS

All changes of this document will be noted in the following table.

New or changed passages will be marked by a vertical black line on the right side of the new or changed page. Date of revision and new revision-no. is shown at the bottom of each side.

Because of the limited number of pages any change of this document will cause a reissue of the complete CMM.

REVISION No.	REVISION DATE	CHANGED PASSAGES	REVISED BY	APPROVAL DATE
NEW	04, April 2012	RELEASE	H. Müller	27.04.2012



Gadringer-Gurte GmbH
Flughafen Kassel
D - 34379 Calden
Tel. +49 (0) 5674 - 9210044
Fax. +49 (0) 5674 - 9210045
info@gadringer-gurte.de

**Component
Maintenance Manual**
No. BAGU-5
Lap Belt "BAGU 5000" - series

TABLE OF CONTENTS

A. <u>Instruction</u>	<u>PAGE</u>
1. Introduction	4
2. Description: General Remarks	4
3. Description: Lap Belt "BAGU 5000" - series	5
4. Description: Shoulder Harness "SCHUGU 2000" - series	7
5. Description: Crotch Strap "BOGU 1000" - series	9
6. Installation Instructions	10
7. Operation	11
B. <u>Component Maintenance</u> (equal procedures for all belt-series as defined in chapter A.3, A.4, A.5)	
1. Disassembly	13
2. Cleaning	14
3. Check	15
4. Repair	17
5. Assembly and Storage	18



Gadringer-Gurte GmbH
Flughafen Kassel
D - 34379 Calden
Tel. +49 (0) 5674 - 9210044
Fax. +49 (0) 5674 - 9210045
info@gadringer-gurte.de

**Component
Maintenance Manual**
No. BAGU-5
Lap Belt "BAGU 5000" - series

A. Instruction

1. Introduction

The instructions in this manual give the data necessary to guarantee a safe use of the belts and provide all recommended maintenance information to keep the belts in a serviceable condition.

It is recommended to test the function of the belts and the condition of webbing and metal parts while the belts are installed but before usage.

A lap belt "BAGU 5000" - series could be used as a "stand-alone" pelvic safety-belt and is specially designed to restrain a human body (seat occupant) during all flight attitudes and landings. It can be used even in combination with a shoulder harness "SCHUGU 2000" - series and a crotch strap "BOGU 1000" - series.

Therefore this documentation also contains data and description of shoulder harness and crotch strap models, which could be used in combination with a lap belt "BAGU 5000" - series.

2. Description: General Remarks

All of the straps are made from polyester or nylon webbing.

The locking-ends of belts are fitted with sewn-in connectors. All belts are fitted with sewn-in end-fittings or loops ("open endings") to mount the belts directly to the seat or aircraft structure.

The rotary buckle is available in left-hand-fix- or right-hand-fix-version, what means, the left or right portion of the lap belt is fix connected with the rotary buckle.

Identification labels are located (sewn-on) on each lap belt half, shoulder strap and crotch strap near the end-fitting on the outer side of each strap.

For metal fittings and rotary buckle the service time / lifetime is not limited except those parts being damaged or showing corrosion.

The webbing material is limited to a max. service time / lifetime (incl. storage time!) of 12 years after date of manufacturing. After that period the webbing material has to be replaced at GADRINGER-GURTE or a GADRINGER-GURTE approved repair station.



Gadringer-Gurte GmbH
Flughafen Kassel
D - 34379 Calden
Tel. +49 (0) 5674 - 9210044
Fax. +49 (0) 5674 - 9210045
info@gadringer-gurte.de

**Component
Maintenance Manual**
No. BAGU-5
Lap Belt "BAGU 5000" - series

3. Description: Lap Belt "BAGU 5000" - series

Designation:

Model: BAGU 5000

Part-No.s: BAGU 51()()
BAGU 52()()
BAGU 53()()
BAGU 54()()
BAGU 55()()

Lifetime (webbing material only!): max. 12 years after date of manufacturing (incl. storage time)

"BAGU 5000" - series is a lap belt to restrain a seat occupant during all flight attitudes and landings.

Each variant of this type of lap belt consists of one left-hand-strap, one right-hand-strap and a rotary buckle to keep all belt straps in one common attachment point.

Following variants of "BAGU 5000" - series are available:

P/N 51()():

Asymmetric belt with sewn-in connector to connect the lap belt straps to the rotary buckle and an adjuster in one strap for adjusting the length of the belt. On the outer ending of the straps are sewn-in end-fittings or loops with a 3-bar-glide to mount or loop-in the belt either to the seat or airframe or an end-fitting.

Lengthen-direction: forwards/upwards
Weight: 0,55 kg

P/N 52()():

Belt with sewn-in connector to connect the lap belt straps to the rotary buckle and adjuster in each strap for adjusting the length of the belt. On the outer ending of the straps are sewn-in end-fittings or loops with a 3-bar-glide to mount or to loop-in the belt either to the seat or airframe or an end-fitting.

Lengthen-direction: forwards/upwards
Weight: 0,65 kg

P/N 53()():

Same as P/N 5200 but with sewn-on leather plates at the locking-end of the straps.

Lengthen-direction: forwards/upwards
Weight: 0,75 kg



Gadringer-Gurte GmbH
Flughafen Kassel
D - 34379 Calden
Tel. +49 (0) 5674 - 9210044
Fax. +49 (0) 5674 - 9210045
info@gadringer-gurte.de

**Component
Maintenance Manual**
No. BAGU-5
Lap Belt "BAGU 5000" - series

P/N 54() ():

Belt with sewn-in connector to connect the lap belt straps to the rotary buckle and adjuster in each strap for adjusting the length of the belt. This variant could be supplied without or looped-in end-fittings.

Lengthen-direction: backwards/downwards
Weight: 0,55 kg

P/N 55() ():

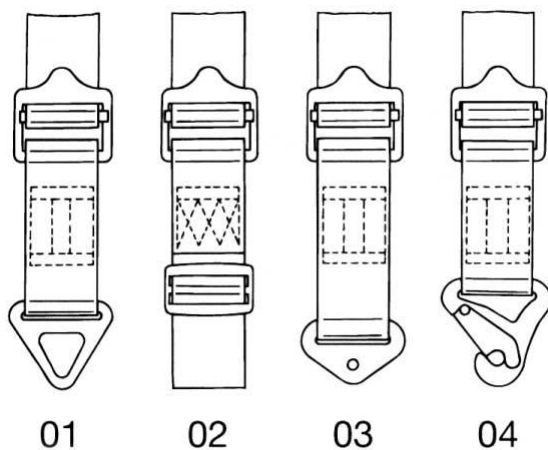
Same as P/N 5400 but with sewn-on leather plates at the locking-end of the straps.

Lengthen-direction: backwards/downwards
Weight: 0,65 kg

Available end-fittings for "BAGU 5000" – series

In all P/N variants of "BAGU 5000" - series the kind of used end-fitting is marked by the last two digits of the open bracket.

Available end-fittings are to be found in the following figure:



01: triangle up to 8mm Ø

02: loop (open ending)

03: end fitting with 8 or 10mm bore

04: snap hook up to 10mm bore

In addition for lap belt "BAGU 5000" - series following end-fitting combinations are available:

05: one lap belt half with end-fitting 03, other lap belt half with end-fitting 04

06: one lap belt half with end-fitting 03, other lap belt half with loop (open ending) 02

07: one lap belt half with end-fitting 01, other lap belt half with loop (open ending) 02

	<p>Gadringer-Gurte GmbH Flughafen Kassel D - 34379 Calden Tel. +49 (0) 5674 - 9210044 Fax. +49 (0) 5674 - 9210045 info@gadringer-gurte.de</p>	<p>Component Maintenance Manual</p> <p>No. BAGU-5</p> <p>Lap Belt "BAGU 5000" - series</p>
--	--	--

4. Description: Shoulder Harness "SCHUGU 2000" - series

Designation:

Model: SCHUGU 2000

Part-No.: SCHUGU 25()(
SCHUGU 26()(
SCHUGU 27()(
SCHUGU 28()(
)

Lifetime (webbing material only!): max. 12 years after date of manufacturing (incl. storage time)

"SCHUGU 2000" - series is a shoulder harness which could be used on the lap belt "BAGU 5000" - series to restrain a seat occupant during all flight attitudes and landings.

Each variant of this type of shoulder harness consists of one left-hand- and one right-hand-strap which are used as separate single straps or converges behind the neck of the seat occupant.

Following variants of "SCHUGU 2000" - series are available:

P/N 25()(
):

Belt with sewn-in connector to connect the shoulder harness straps to the rotary buckle, an adjuster in each strap for adjusting the length of the belt and a sewn-in end-fitting to mount the belt either to the seat or airframe.

Furthermore this variant is equipped with a sewn-in 3-bar-glide, what enables an additional possibility for adjusting the length.

Lengthen-direction: downwards
Weight: 0,50 kg

P/N 26()(
):

Belt with sewn-in connector to connect the shoulder harness straps to the rotary buckle, an adjuster in each strap for adjusting the length of the belt and a sewn-in end-fitting to mount the belt either to the seat or airframe.

Lengthen-direction: downwards
Weight: 0,40 kg



Gadringer-Gurte GmbH
Flughafen Kassel
D - 34379 Calden
Tel. +49 (0) 5674 - 9210044
Fax. +49 (0) 5674 - 9210045
info@gadringer-gurte.de

**Component
Maintenance Manual**
No. BAGU-5
Lap Belt "BAGU 5000" - series

P/N 27() ():

Belt with sewn-in connector to connect the shoulder harness straps to the rotary buckle, an adjuster in each strap for adjusting the length of the belt and a loop with a 3-bar-glide to mount the belt either to the seat or airframe or to loop-in an end-fitting.

Lengthen-direction: downwards
Weight: 0,45 kg

P/N 28() ():

Belt with sewn-in connector to connect the shoulder harness straps to the rotary buckle and an adjuster in each strap for adjusting the length of the belt. The two straps of this harness-variant converges behind the neck of the seat occupant in a "V-" or a "Y"-shape. Kind of shape is marked by the 3rd digit of the Model-No.

Lengthen-direction: downwards
Weight: 0,40 kg

The kind of used end-fitting is marked by the last two digits of the Part-No. in all variants.
Available end-fittings are to be found in section "3. Description: Lap Belt "BAGU 5000" - series".

	<p>Gadringer-Gurte GmbH Flughafen Kassel D - 34379 Calden Tel. +49 (0) 5674 - 9210044 Fax. +49 (0) 5674 - 9210045 info@gadringer-gurte.de</p>	<p>Component Maintenance Manual</p> <p>No. BAGU-5</p> <p>Lap Belt "BAGU 5000" - series</p>
--	--	--

5. Description: Crotch Strap "BOGU 1000" - series

Designation:

Model: BOGU 1000

Part-No.: BOGU 13()()
BOGU 14()()

Lifetime (webbing material only!): max. 12 years after date of manufacturing (incl. storage time)

"BOGU 1000" - series is an additional crotch strap which could be used on the lap belt "BAGU 5000" - series to give the seat occupant another possibility to position the rotary buckle in the center of the body.

Following variants of "BOGU 1000" - series are available:

P/N13()():

Belt with sewn-in connector to connect the crotch strap to the rotary buckle, an adjuster for adjusting the length of the belt and a sewn-in end-fitting to mount the belt to the either to the seat or airframe.

Lengthen-direction: upwards
Weight: 0,20 kg

P/N 14()():

Belt with sewn-in connector to connect the crotch strap to the rotary buckle, an adjuster for adjusting the length of the belt and a loop with a 3-bar-glide to mount the belt either to the seat or airframe or to loop-in an end-fitting.

Lengthen-direction: upwards
Weight: 0,20 kg

The kind of used end-fitting is marked by the last two digits of the Part-No. in both variants. Available end-fittings are to be found in section "3. Description: Lap Belt "BAGU 5000" - series".



Gadringer-Gurte GmbH
Flughafen Kassel
D - 34379 Calden
Tel. +49 (0) 5674 - 9210044
Fax. +49 (0) 5674 - 9210045
info@gadringer-gurte.de

**Component
Maintenance Manual**
No. BAGU-5
Lap Belt "BAGU 5000" - series

6. Installation Instructions

The belts are supplied in a condition "ready to be installed".

CAUTION:

ELIGIBILITY OF THE BELTS FOR BEING INSTALLED IN A GLIDER OR AN AIRCRAFT MUST BE CONFIRMED BY THE MANUFACTURER OF THE GLIDER / AIRCRAFT OR WITH AN APPROVED STC (SUPPLEMENTAL TYPE CERTIFICATE) FROM EASA OR NATIONAL AIRWORTHINESS AUTHORITY (NON-EU COUNTRIES).

For installing the belts pay attention to the marking on the lap belt and shoulder harness:

"L" - left side

"R" - right side

Relating to the seating position in flight direction the "R"-marked belt has to be installed on the right side, the "L"-marked belt has to be installed on the left side of the seat occupant.

The black tap / plate of the rotary buckle must be in the upper position.

Belts with sewn-in end-fittings must be mounted by fixing the end-fittings (see markings on picture below) either to the seat or airframe, belts without end-fittings (loops / open endings) must be looped either to the seat, airframe or in an end-fittings mounted to the seat or airframe.





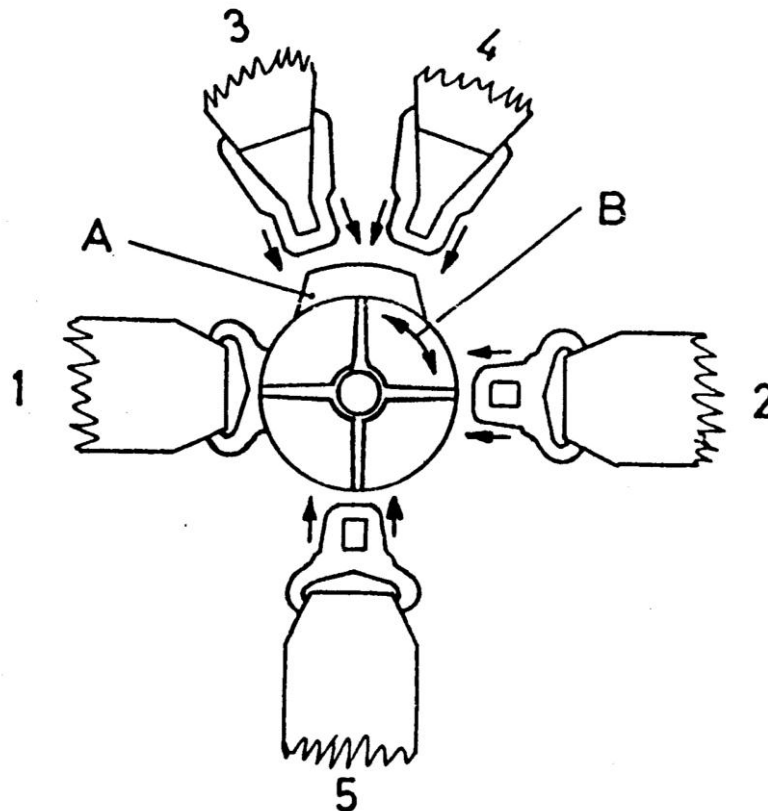
Gadringer-Gurte GmbH
Flughafen Kassel
D - 34379 Calden
Tel. +49 (0) 5674 - 9210044
Fax. +49 (0) 5674 - 9210045
info@gadringer-gurte.de

**Component
Maintenance Manual**
No. BAGU-5
Lap Belt "BAGU 5000" - series

7. Operation

All parts of the belts come together at a common attachment point (Rotary Buckle).

The rotary buckle is an all metal or plastic sheathed metal device consisting of housing with 5 slotted sockets to accommodate connectors of two lap belt straps (1 + 2), two shoulder harness straps (3 + 4) and one crotch strap (5). Regularly the right hand lap belt strap (1) is fixed to the buckle.



Clockwise or counterclockwise rotation of the rotary buckle cover (B) releases all but one belt at the same time. The shoulder harness can be separately released by pushing forward on the black tab / plate (A) located on top of the rotary buckle. The lap belt (and if used the crotch strap) remains fastened with the buckle.

WARNING:

It is important not to interchange the lap belt straps (1 or 2) with the shoulder harness straps (3 + 4).

! USE THE CORRECT POSITIONS WHILE ASSEMBLING !

Because of different dimensions the lap belt connectors (1 + 2) will not connect safely in the shoulder harness socket and conversely. A safe use is not ensured.



Gadringer-Gurte GmbH
Flughafen Kassel
D - 34379 Calden
Tel. +49 (0) 5674 - 9210044
Fax. +49 (0) 5674 - 9210045
info@gadringer-gurte.de

**Component
Maintenance Manual**
No. BAGU-5
Lap Belt "BAGU 5000" - series

Fastening and loosing the belts

All belts have to be visual checked before flight for damaged parts and correct functioning.

Fasten and loose the belts and straps as follows:

- 1) In the seated position, grasp the rotary buckle (B) with one hand and position it over the center of the body. Use the other hand to bring over the connector of the lap belt. Insert the connector (2) into the lateral slot opposite to the other connector (1) half.
- 2) Adjust the length of the lap belts by pulling on the free end of webbing at the adjuster so that the rotary buckle (B) takes up a central position and that the lap belt passes over the pelvis.
- 3) As far as available insert the connector of the crotch strap (5) in the lower slot of the rotary buckle (B). Adjust by pulling on the free end of webbing at the adjuster.
- 4) Grasp the shoulder straps from behind, lay left (4) and right (3) strap over the left and right shoulder and insert the connectors into the upper slots of the rotary buckle (B). Adjust by pulling on the free end of webbing at the adjuster.
- 5) Tighten belts by pulling on the free end of webbing at the adjusters. Loosen belts by pulling on the pull tabs on the adjusters.
- 6) Clockwise or counterclockwise rotation of the rotary buckle cover (B) releases all but one belt at the same time.

The shoulder harness can be separately released by pushing forward on the black tab / plate (A) located on top of the rotary buckle. The lap belt (and if used the crotch strap) remains fastened with the buckle.



B. Component Maintenance

1. Disassembly

ATTENTION:

Do only use those procedures of disassembly that are necessary to remove defective parts and to correct malfunctions.

CAUTION:

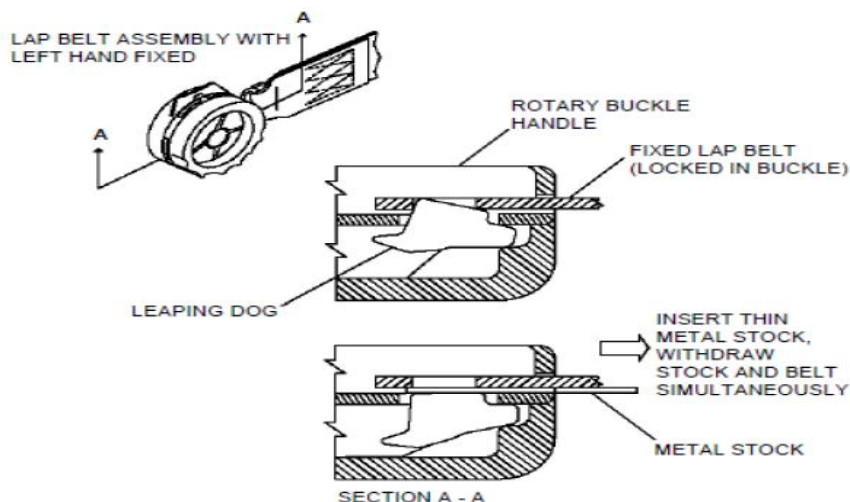
BELTS MAY NOT BE DISASSEMBLED BEYOND THE LEVEL INDICATED BELOW.

FURTHER REPAIR OF THE BELTS MAY ONLY BE CARRIED OUT BY GADRINGER-GURTE OR A GADRINGER-GURTE APPROVED REPAIR STATION.

GADRINGER-GURTE GMBH IS NOT RESPONSIBLE FOR DAMAGE OR MALFUNCTIONS RESULTING FROM ANY UNAUTHORIZED ATTEMPT TO REPAIR OR DISASSEMBLE OF THE BELT-SYSTEM.

Procedure:

- Turn the cover on the rotary buckle to release the straps that are not locked.
- Release the locked connector from the rotary buckle assembly. (If necessary)
 - Put a thin blade behind the connector of the locked connector.
 - Insert the thin blade in the socket on the rotary buckle to release the pawl.
 - Remove the connector half and the thin blade from the rotary buckle.



A Video clip of removal process is available at: <http://www.pacscimiami.com/serviceBulletin.html>



Gadringer-Gurte GmbH
Flughafen Kassel
D - 34379 Calden
Tel. +49 (0) 5674 - 9210044
Fax. +49 (0) 5674 - 9210045
info@gadringer-gurte.de

**Component
Maintenance Manual**
No. BAGU-5
Lap Belt "BAGU 5000" - series

2. Cleaning

To clean the belts remove dirt and unwanted oil and grease. This helps the belts to last longer and prevents corrosion of the metal parts.

Prior to a cleaning procedure disconnect the rotary buckle from the lap belt as describe in section 1. Disassembly.

Hand-wash of the dirt parts is recommended to clean the webbing with fresh water and a mild soap (household dishwasher liquid soap, household laundry detergent). Do not keep the complete belts under water. The metal fittings are to be cleaned with a lint-free cloth moistened with isopropyl alcohol.

Do not use water and soap for cleaning the metal parts!

DO NOT TRY CLEANING THE ROTARY BUCKLE INSIDE !

**BELTS SHALL NOT BE MACHINE-WASHED, BECAUSE THE WEBBING WILL SHRINK
AND ITS PERFORMANCE CHARACTERISTICS WILL CHANGE.**

All belts are to be dried either in the open air or in well ventilated locations, keeping away from direct sunlight.



Gadringer-Gurte GmbH
Flughafen Kassel
D - 34379 Calden
Tel. +49 (0) 5674 - 9210044
Fax. +49 (0) 5674 - 9210045
info@gadringer-gurte.de

**Component
Maintenance Manual**
No. BAGU-5
Lap Belt "BAGU 5000" - series

3. Check

For metal fittings and rotary buckle the service time / lifetime is not limited except those parts being damaged or showing corrosion.

The webbing material is limited to a max. service time / lifetime (incl. storage time!) of 12 years after date of manufacturing. After that period the webbing material has to be replaced at GADRINGER-GURTE or a GADRINGER-GURTE approved repair station.

Avoid irregular conditions of use to prevent failures of the belts and make the equipment more reliable.

All belts have to be checked before flight by means of visual checks in order to identify damaged or worn parts and parts that show signs of near failure.

If any part of a belt is found defective, or if the strength or serviceability appears to be suspect, the belt has to be returned to GADRINGER-GURTE or a GADRINGER-GURTE approved repair station for a repair. All belts will remain in service until defects are noticed on the occasion of inspections or if the maximum lifetime would be reached.

Procedures:

A. General

Make sure the belts are clean and do not contain dirt, oil or grease, other unwanted particles or substances.

B. Webbing

Slight wear of the webbing is permitted. However, excessive web wear that has progressed to cut or worn edges must be replaced.

Examine and replace webbing if any of the following are observed:

- Cut or worn edges
- Damaged stitching
- Broken fabric threads
- Excessive chafe marks
- Excessive wears

Examine labels for legibility.

C. Buckle

Examine rotary buckle and connectors for:

- Burrs, nicks, or scratches
- Dents
- Corrosion

D. Fittings

Examine fitting for:

- Burrs, nicks, or scratches
- Dents
- Corrosion



Gadringer-Gurte GmbH
Flughafen Kassel
D - 34379 Calden
Tel. +49 (0) 5674 - 9210044
Fax. +49 (0) 5674 - 9210045
info@gadringer-gurte.de

**Component
Maintenance Manual**
No. BAGU-5
Lap Belt "BAGU 5000" - series

Inspection for Continued Airworthiness

A. General

Inspection of the belts is governed by a Gadringer-Gurte inspection and servicing schedule. The belts may remain in service until defects are found upon inspection or if the maximum lifetime would be reached.

Periodic Inspection

As a minimum, GADRINGER-GURTE recommends a yearly periodic-inspection of the belts. The continued use is subject to the routine inspection interval of the airframe by conducting a functional inspection check of the belts. The service life is subject to the periodic inspection while in service and depends on the service environment in which it is used and the degree of use over the installation period. This subsequently places the responsibility for the continued airworthiness of the belts on the installer/operator since the flight times, usage, and operating environment will vary by operator. If the belts are no longer usable based on the inspection for continued airworthiness, it must be discarded or returned to GADRINGER-GURTE or a GADRINGER-GURTE approved repair station for repair.

Following unscheduled maintenance procedure could be used for metal parts:

- (1) Use an abrasive cloth to remove minor nicks and scratches from aluminum parts.
- (2) Use crocus cloth to remove minor nicks and scratches from steel parts.
- (3) Clean the parts when the repair is complete.

B. Inspection Intervals

- Annual periodic inspection concurrently with the airworthiness inspection of the airframe.
- When the equipment has sustained damage or whenever malfunctions occur.
- When for the equipment any special reason occurs.
- **When the equipment has been over-stressed or if over-stress is suspected.**
Visual inspection of the restraint will not always reveal the extent of the damage caused by over-stress / crash impact / severe loading conditions. **In order to ensure that the original design performance and structural integrity is maintained, the user should remove and replace all restraints within the aircraft after over-stress / crash impact / severe loading conditions have occurred.**
(see B.4. Repair)

C. Inspection Responsibility

Inspection of the belts for continued Airworthiness must only be performed by GADRINGER-GURTE or by organizations specially approved by the aviation authorities.

Periodic-inspection of the belts for continued Airworthiness must only be performed by approved maintenance organizations or in accordance with EASA Part M, Annex VIII "Pilot / Owner Maintenance".

All other inspection or repairs of the restraint for continued Airworthiness must only be performed by GADRINGER-GURTE or a GADRINGER-GURTE approved repair station.



Gadringer-Gurte GmbH
Flughafen Kassel
D - 34379 Calden
Tel. +49 (0) 5674 - 9210044
Fax. +49 (0) 5674 - 9210045
info@gadringer-gurte.de

**Component
Maintenance Manual**
No. BAGU-5
Lap Belt "BAGU 5000" - series

4. Repair

CAUTION:

BELTS MAY NOT BE DISASSEMBLED BEYOND THE LEVEL INDICATED IN THE SECTION B.1. DISASSEMBLY. FURTHER REPAIR OF THE BELTS BEYOND THE LEVEL INDICATED BELOW MAY ONLY BE CARRIED OUT BY GADRINGER-GURTE OR A GADRINGER-GURTE APPROVED REPAIR STATION.

GADRINGER-GURTE IS NOT RESPONSIBLE FOR DAMAGE OR MALFUNCTIONS RESULTING FROM ANY UNAUTHORIZED ATTEMPT TO REPAIR OR DISASSEMBLE OF THE BELT-SYSTEM.

CAUTION:

- 1. REPLACEMENT OF DAMAGED METAL PARTS ON THE BELTS IS NOT PERMITTED.**
- 2. REPAIR OF DAMAGED WEBBING AND/OR STITCHING ON THE BELTS IS NOT PERMITTED.**



Gadringer-Gurte GmbH
Flughafen Kassel
D - 34379 Calden
Tel. +49 (0) 5674 - 9210044
Fax. +49 (0) 5674 - 9210045
info@gadringer-gurte.de

**Component
Maintenance Manual**
No. BAGU-5
Lap Belt "BAGU 5000" - series

5. Assembly and Storage

After a disassembly of the belts (for cleaning f.e.) all parts of the belts must be (re-) assembled.

Do only those steps backwards applicable to the level of the disassembly.

- Insert the connector (1 or 2) of a lap belt half into the fixed socket of the rotary buckle (B). Pay attention to the "L" and "R" marking on the lap belt halves.
- Push the connector into socket until connector becomes locked with a "click".
- Insert the connector (1 or 2) into the lateral slot opposite to the other connector half.
- Insert the connector of shoulder belts (3+4) and crotch strap (5) into the correct socket of the rotary buckle (B).
- Push the connectors into socket until the "click" and they are held in position.

WARNING:

It is important not to interchange the lap belt straps (1 or 2) with the shoulder harness straps (3+4).

! USE THE CORRECT POSITIONS WHILE ASSEMBLING !

Because of different dimensions the lap belt connectors (1+2) will not connect safely in the shoulder harness socket and conversely. A safe use is not ensured. Refer to picture in section A.7. Operation.

Storage

All belts must be protected from dust, moisture, direct sunlight, other contamination and chemicals. Sealing of the belts in plastic foil etc. must be carried out under low humidity conditions.

New belts which have been stored shall be subject to an inspection prior to their installation in an aircraft.

Storage time is considered to be lifetime and does not extend the max. lifetime of the webbing material of 12 years after date of manufacturing.